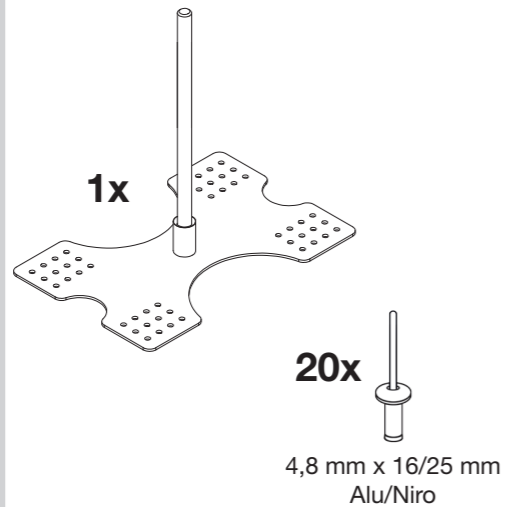
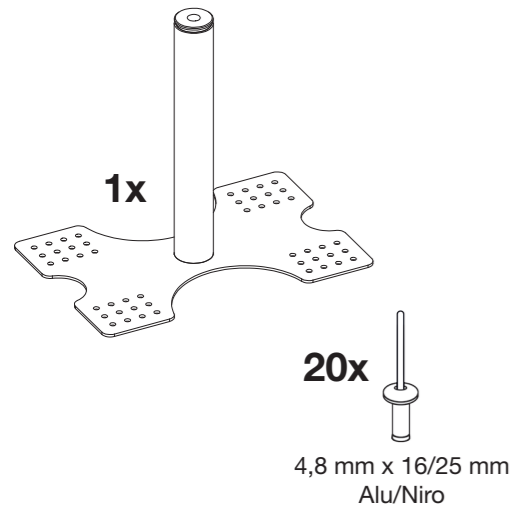


TS ES und ZS 300-1000 T (TRAPEZOIDAL SHEET METAL)

1A) Corner support contents

1B) Intermediate support contents



2) Required tools



Ø 5 mm



Cordless
screwdriver



Riveting
pliers

TigaSAFE

ROOF SAFETY SYSTEMS

Important product information

The anchorage device may be used by a maximum of 2 people at the same time.

If the anchorage device is used as part of a fall arrest system, the user shall be provided with means to limit the maximum dynamic forces acting on the user during a fall arrest operation to a maximum of 6 kN.

The maximum force(s) that can be applied in practice from the anchorage device to the structural equipment is/are 12 kN. The anchorage devices are designed for loading in all directions parallel to the structure.

Every time a TigaSafe product is installed, an installation protocol in accordance with ÖNORM 3417 (2016) must be created.

The assembly guidelines as well as the safety regulations must be observed!

>> See installation protocol on www.tigatech.at

TigaTech

GmbH

Derndorferberg 2, 4501 Neuhofen/Krems, Austria
Tel. +43 7227 21600, email: office@tigatech.at, www.tigatech.at

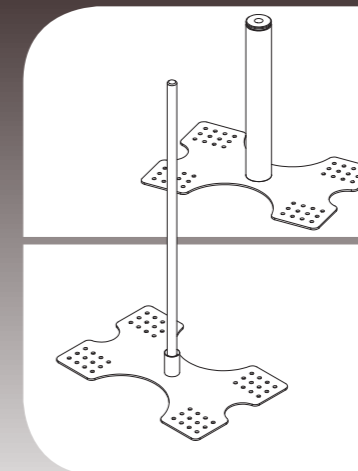


Made in Austria

TigaSAFE

ROOF SAFETY SYSTEMS

ASSEMBLY INSTRUCTIONS



TS ES 300-1000 T
Fastening to TRAPEZOIDAL SHEET
METAL

TS ZS 300-1000 T
Fastening to TRAPEZOIDAL SHEET
METAL

TigaTech

GmbH

Important assembly instructions

The anchorage devices may only be installed by qualified personnel or qualified companies. The supplied brackets (eyelets) must be properly mounted immediately after the installation of a support! Otherwise there is a considerable risk of injury from the support. As soon as a bracket (eyelet) is properly fastened to the support this must be used for safeguarding when installing further anchorage devices! The assembly must be checked appropriately, e.g. by calculation and testing.

Only the fasteners supplied by the manufacturer may be used. The suitability of the material of the fastening elements must be specified. Before installation, the installation surface must be checked for its suitability for installation and the fitter must ensure that it can withstand the loads. In case of doubts or lack of knowledge whether the mounting surface meets the load requirements, TigaSafe products must not be mounted or used and in case of doubt a structural engineer must be consulted.

If the marking of the anchorage device is no longer accessible after installation, an additional marking in the vicinity of the anchorage device is recommended.

For type A anchoring devices

The displacement of the anchorage device and the displacement of the anchorage point correspond to the prop height.

For type C anchoring devices

1. The minimum mounting distance between the TigaSafe anchorage points when used as a rope system is 3 m. The maximum mounting distance between the anchorage points is 7 m.
2. Warning, attention! The Type C anchorage devices must be mounted in such a way that their displacement during catching prevents the guiding device from coming into contact with a sharp edge or any other object likely to damage the guiding device.
3. The maximum angle at which the guiding can enter or exit intermediate fixings or corner anchorages is 10 degrees.
4. The minimum breaking strength of the flexible guiding is 36 kN.
5. The use of height safety devices is not envisaged.
6. Only Class B or Class T fasteners according to EN 362(2008) may be used.
7. The user must at all times be connected to the Type C system via the appropriate equipment. If a corner or intermediate anchorage is to be passed, the user must connect to the Type C system by a redundant (fail-safe) locking device before the original locking device may be removed.
8. In the event that the safety system is strained, the case indicator bends or jumps out so that the strain on the TigaSafe impact absorber is immediately visible. If this is the case, the roof must be closed immediately and the rope safety system must no longer be used as such.
9. The displacement of the individual attachment points is a minimum of 300 mm and a maximum of 1000 mm, depending on the column height and the displacement of the individual columns. When using TigaSafe cable systems the cable displacement can be up to 4 m. It is therefore essential to ensure before each use that there is sufficient clearance below the user and that there is no risk of impact with the floor, protruding building edges or parts or other objects and obstacles below the working area. Note that the actual capture distance depends on the body weight of the user, the displacement of the harness on the body, the elongation of the rope and the displacement of the attachment points may vary and therefore there is a sufficient additional safety distance to be considered. You should therefore also take corresponding safety precautions.

These assembly instructions and the specified work steps must be strictly followed!
The safety regulations and general guidelines must be carefully read and followed before installing the anchor points or rope system.



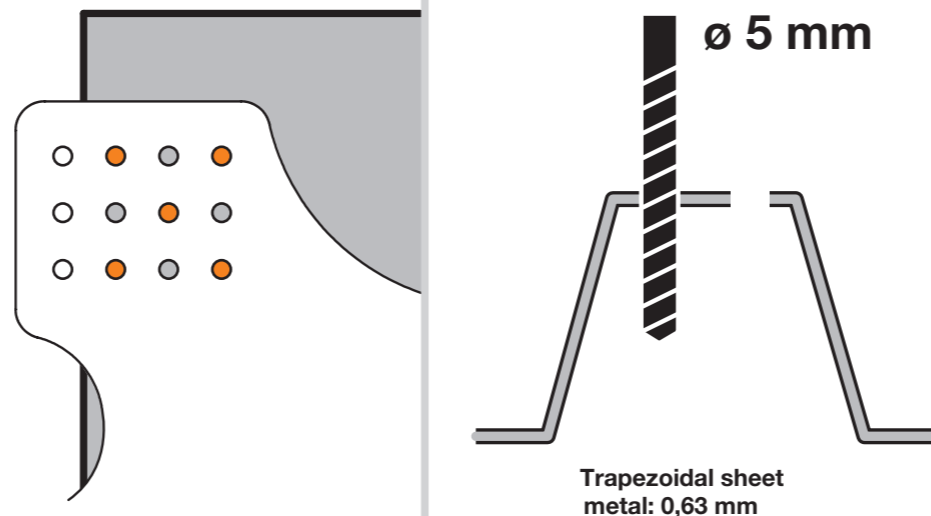
The instructions to be followed are shown schematically and explained in writing.
If you have any questions, please contact our technical department:

TigaTech

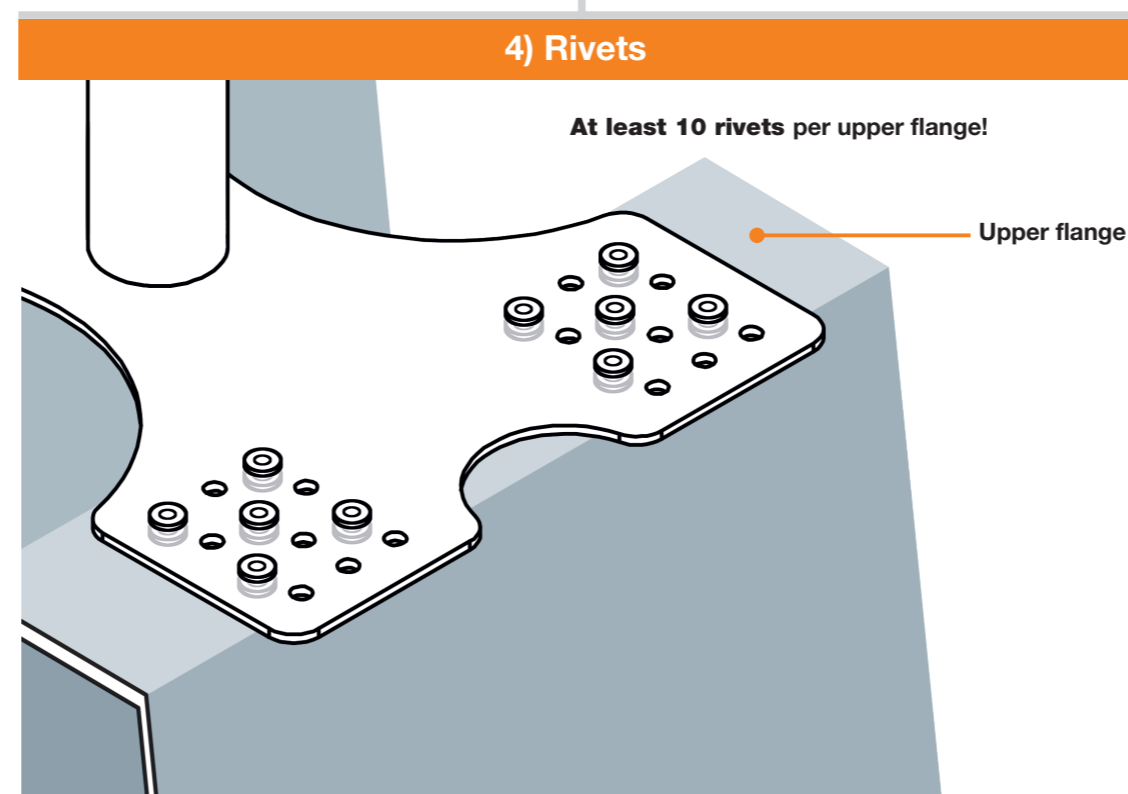
Derndorferberg 2, 4501 Neuhofer/Krems, Austria, Tel. +43 7227 21600, email: office@tigatech.at

TS ES und ZS 300-1000 T (TRAPEZOIDAL SHEET METAL)

3) Marking and drilling



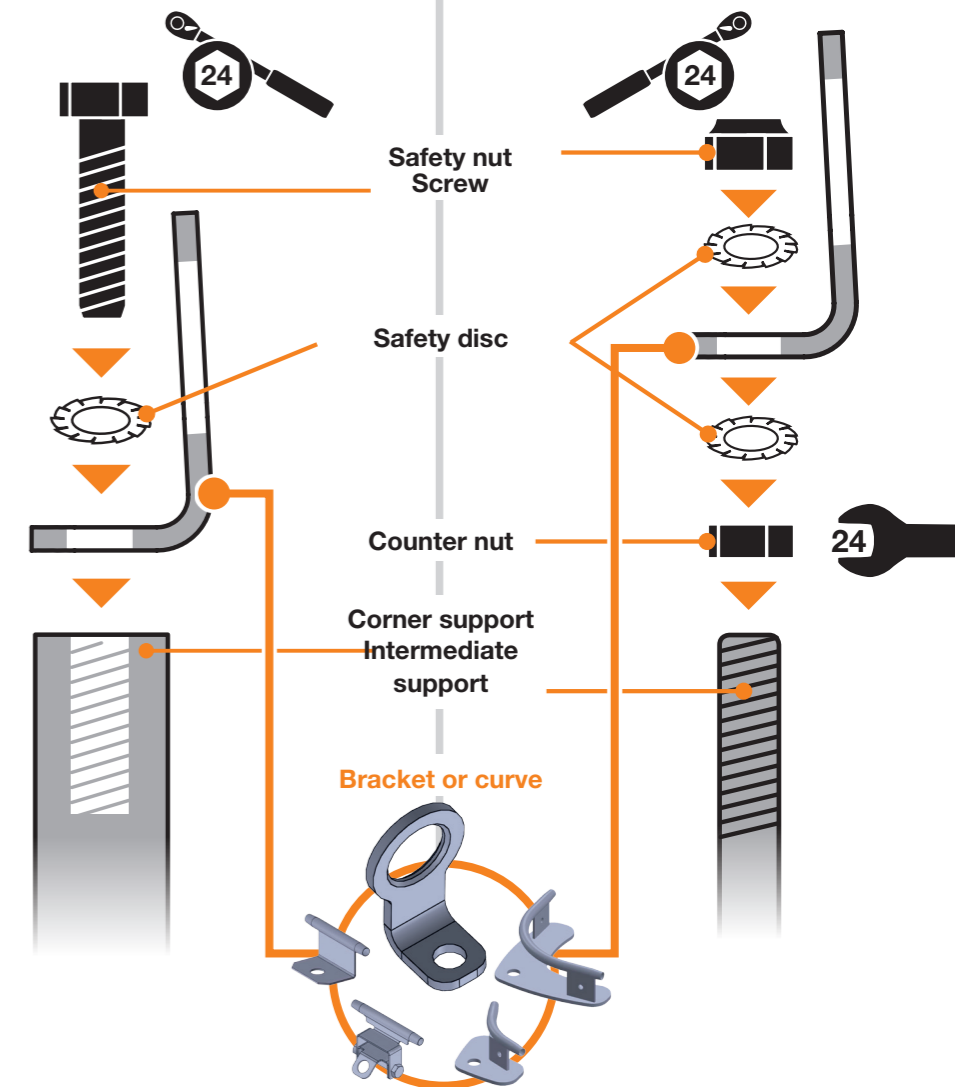
4) Rivets



Fastening of bracket, curve or intermediate holder on ...

... Corner support (ES)

... Intermediate support (ZS)



For thread protection use copper paste or spray against stainless steel cold welding.

Screw in the screw with a torque of 40 NM. READY!

min. 40 NM